

# B049 mirand049scn2008

40.2375 -123.8197 117 m

20 ft - Clay  
45 ft - Into hardpan, making HWO above contact.  
48 ft - Into gravels.  
90 ft - Hole transitioned from gravel to weathered bedrock at this point. Cuttings mostly angular, freshly broken medium grey siltstone.

440 ft - Siltstone with frequent very fine grained grey clay interbeds  
560 ft - Slow drilling, clays are becoming more difficult to clean from hole..

***NOT TO SCALE***

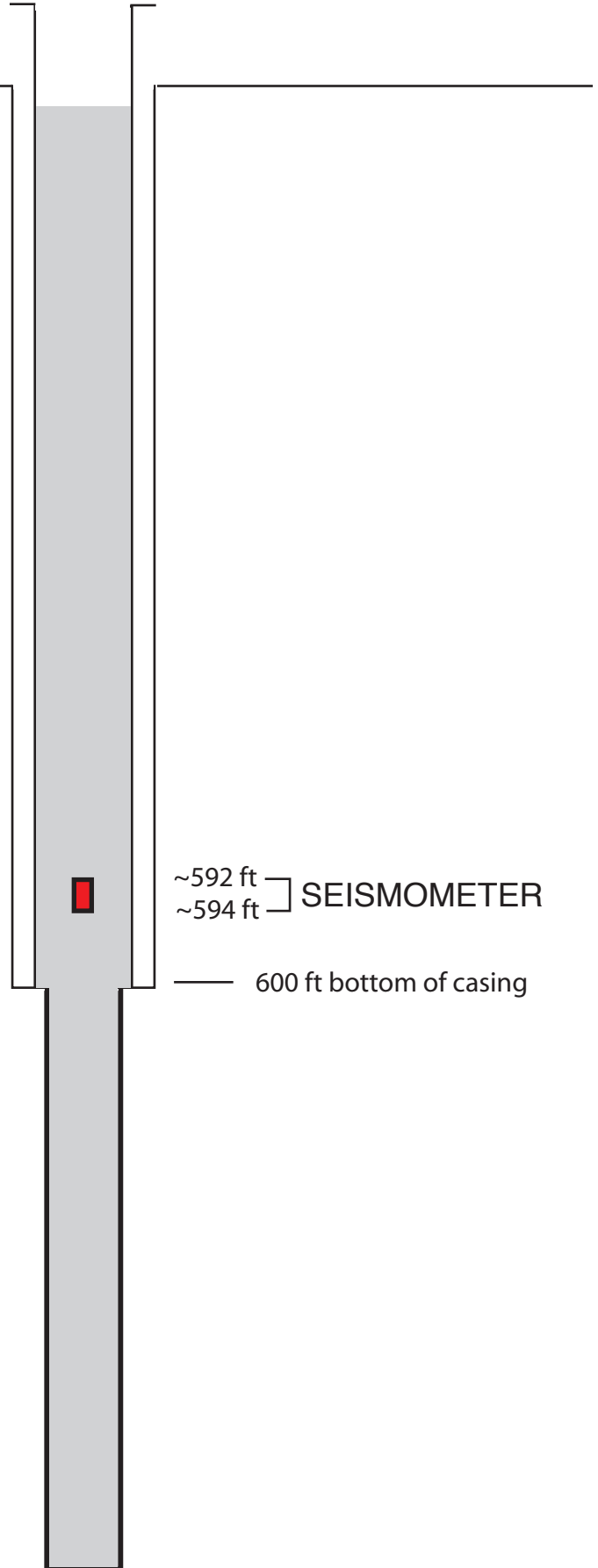
***Cables not shown***

***all depths relative to top of casing***

Last Updated 8 June 2012

700 ft - Siltstone/claystone

T.D.  
800 ft



~592 ft  
~594 ft SEISMOMETER

600 ft bottom of casing